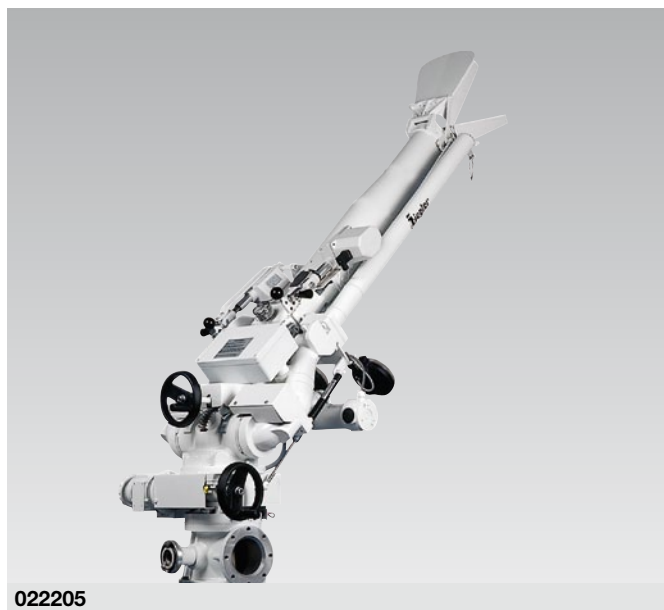


Foam/Water turrets PYTHON



|                           | Standard   | Double pipe      |  |
|---------------------------|--|------------------|--|
| Turret pipe               | combination pipe or multiple gallonage nozzle  | combination pipe | powder pipe<br>powder nozzle<br>up to 10 und 20 kg/s |
| Jet adjustment            | deflector at combination pipe  | deflector        | no   |
| Flow rate adjustment      | 100 % - 50 %   | 100 % - 50 %     | no   |
| Operation turret pipe     | electrically<br>emergency control via hand lever   |                  |  |
| Operation turret body     | electrically with disengageable friction coupling  |                  |  |
| Swivel range horizontally | 330° at electrical operation   |                  |  |
| Swivel range vertically   | -15° up to +60°  |                  |  |
| Options                   | searchlights (2 pcs.)<br>proportional control<br>position indication MAZ 4000<br>remote-control via joy-stick<br>switchboard with control<br>portable control panel<br>support locking at combination pipe |                  |  |

|                     | Throw m |      |      |      | Weight<br>Basic type<br>approx. kg |
|---------------------|---------|------|------|------|------------------------------------|
| Q (l/min) at 10 bar | 1600    | 2400 | 3000 | 3600 | 100                                |
| Water               | 55      | 60   | 65   | 70   |                                    |
| Foam                | 45      | 50   | 55   | 60   |                                    |