



Z-Turret

The portfolio of our next generation turrets

Turrets as ZIEGLER vehicle equipment or as a single component



We provide security.

www.ziegler.de



We are ZIEGLER

As a future-oriented group, the ZIEGLER Group focuses on long-term business based on performance, reliability and sustainability.

A firefighting vehicle is an investment in the future. To ensure that this investment pays off for our customers, we guarantee the highest level of quality and innovation. That means: perfect craftsmanship, outstanding stability, optimal corrosion protection and flexibility for individual customer requirements.

This is complemented by our extensive range of firefighting equipment and components, which also meet the highest quality standards.



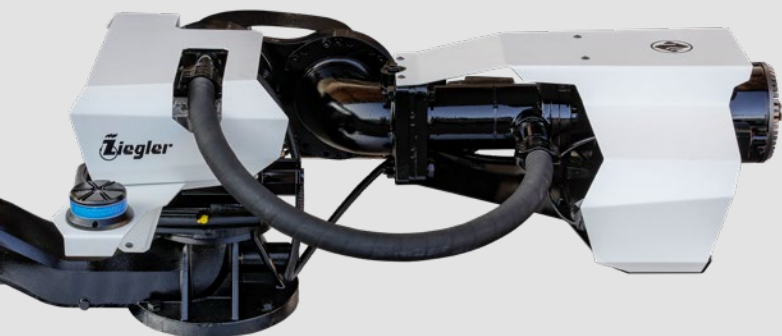
We provide security.

Our brand promise makes clear what ZIEGLER stands for: We see the protection of public security as our ultimate objective. In order to accomplish this task, it is our motivation and our approach to offer the best and most competitive portfolio of firefighting and emergency management solutions. We assume responsibility with respect to customer requirements and their satisfaction.

The new Z-Turret

Designed for the best

Compact design, lowest pressure losses, highest throwing distance and improved longevity



Increased operational longevity through few wear parts only and life-time extension due to state-of-the-art brushless electric motors

Thanks to **minimal pressure losses**, the turret achieves a previously unattained throwing distance and maximum performance.

Modular construction: the perfect turret for every scenario and requirement due to individual configuration

Control the turrets with **Z-Control of the latest generation**, the benchmark of the firefighting industry

ZIEGLER foam quality guarantees an extinguishing effect that exceeds the requirements of NFPA, ICAO and CCCF by far.



ZIEGLER extinguishing technology

The latest generation of ZIEGLER turrets was developed with the aim of combining the optimal extinguishing effect of the tried and tested ZIEGLER extinguishing technology with the successful Z-Control operating concept. Controlling the turret is even easier and more intuitive with Z-Control of the latest generation.

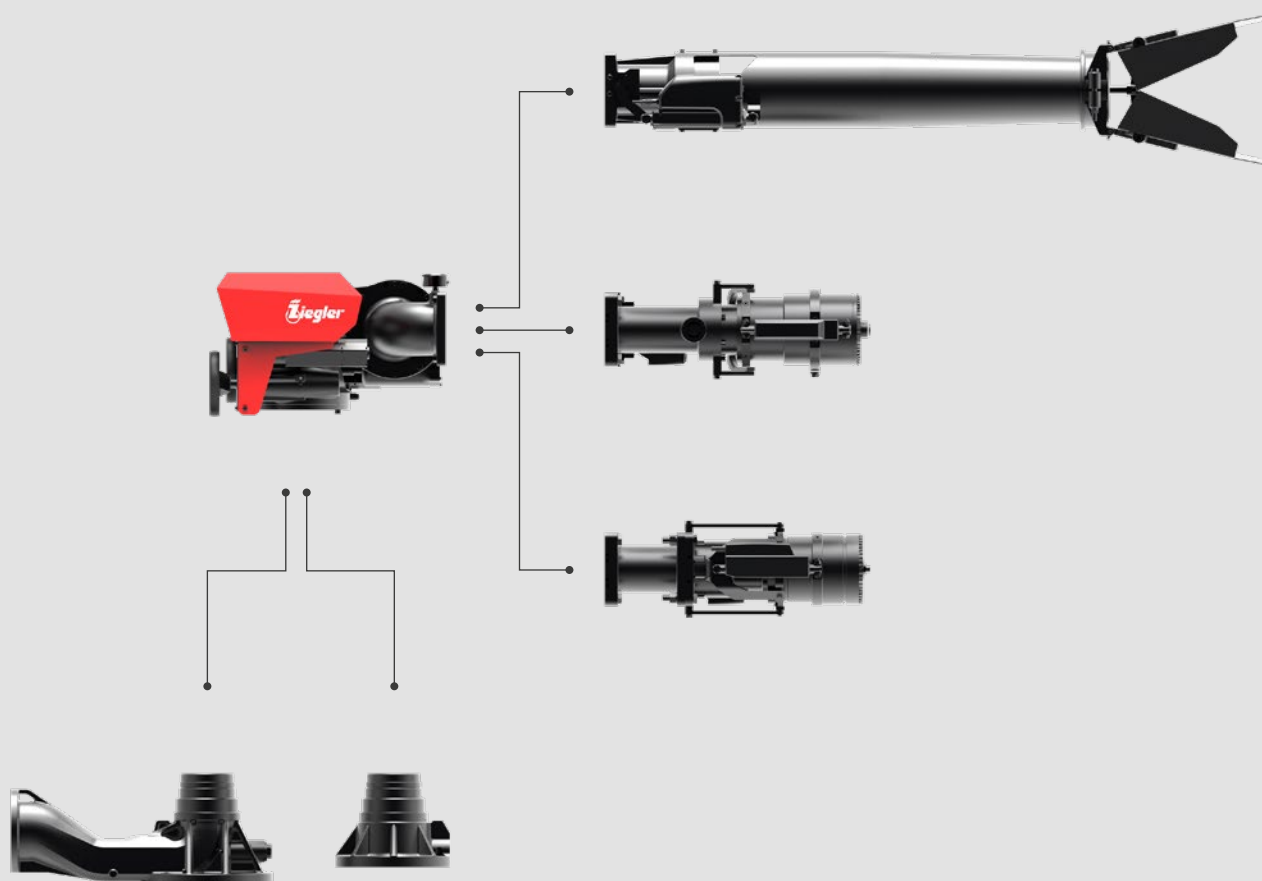
Universally applicable

Whether as a roof turret of a Z8, an industrial firefighting vehicle or as stand-alone component: Z-Turret impresses with its construction and performance in all situations. The result is a turret portfolio that is second to none.

Modular construction

Highest flexibility

Maximum benefit and individual adjustments



Water can be supplied horizontally by elbow pipe or from below, which allows low **installation heights**.

Thanks to its modular structure and optimal harmonization of all ZIEGLER extinguishing systems, an unprecedented **extinguishing effect** can be achieved.

Z-Turret can be equipped with a certified **foam branch pipe**, a wide variety of multi purpose nozzles or powder nozzles.

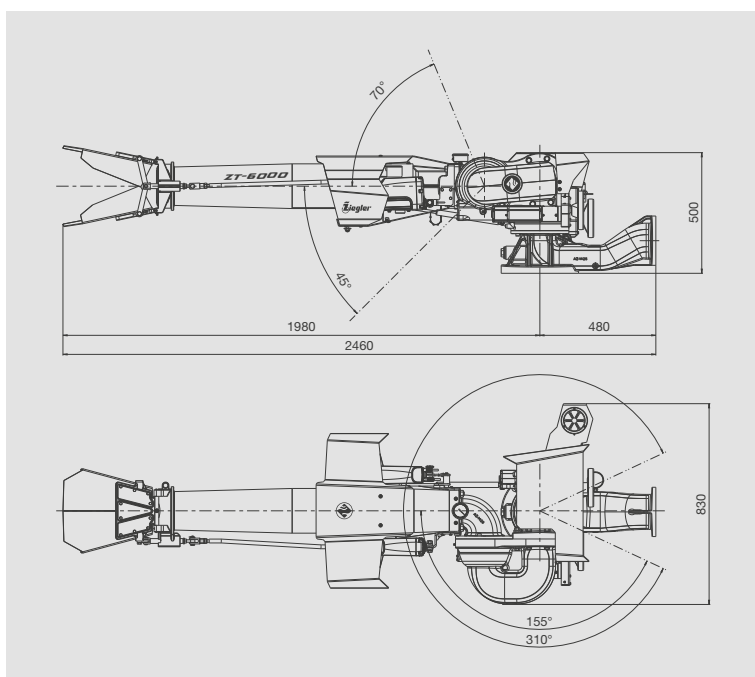
Water, foam and powder

Depending on the requirements, Z-Turret can optionally be equipped with an internally located powder piping and therefore release water and powder at the same time.

The features

Reliable and smart

Highly resistant materials combined with latest technology



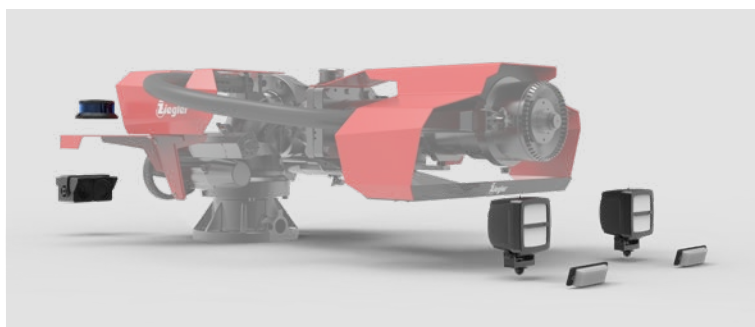
Compact and robust

Thanks to the particularly low height of the turret due to our newly optimized design, lower vehicle heights are possible now. The technical design for maximum stability guarantees safety even in the case of sudden extreme situations. Thanks to the use of seawater-resistant, hard anodized aluminum, Z-Turret has a particularly high product lifetime. This makes Z-Turret as robust as the harsh everyday use demands. Nevertheless, Z-Turret allows maximum mobility due to its almost unlimited swivel range.



Communication and control

Standardized communication of Z-Turret by using FireCAN. Unique control options thanks to the latest generation of Z-Control, which combines the advantages of the intuitive operation of a game controller with the tough requirements of the fire service.



Modular equipment packages

In order to meet your requirements in the best possible way, Z-Turret can be individually equipped with versatile modular options.

Developer, manufacturer,
trader and service provider –
all from one source.



Extinguishing technology



Control and Operation



Firefighting vehicles



Hoses and Equipment



Service



Albert Ziegler GmbH
We provide security.
Albert-Ziegler-Strasse 1
89537 Giengen/Brenz
Germany
Phone +49 (0)7322 951-0
Fax +49 (0)7322 951-211
info@ziegler.de
www.ziegler.de



Illustrations may contain accessories
and/or special equipment that are not
part of the standard scope of delivery
or service. Technical changes reserved.
We cannot accept any liability for
printing errors.

© Albert Ziegler GmbH 2021